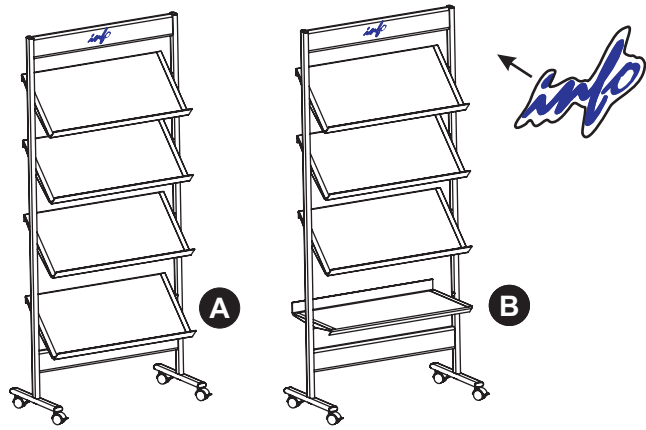
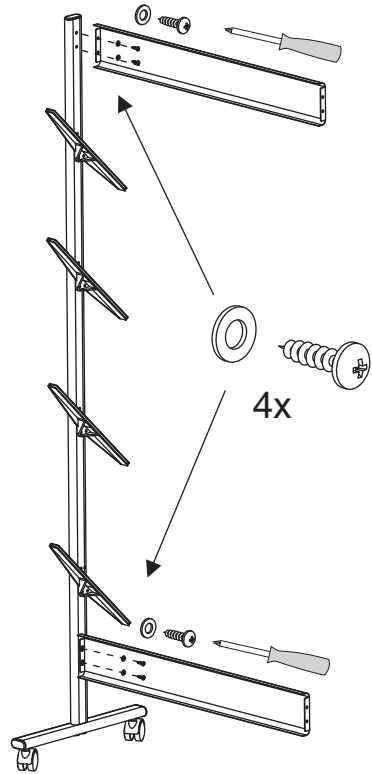


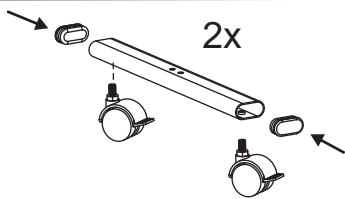
# Prospektregal A4 BUDGET



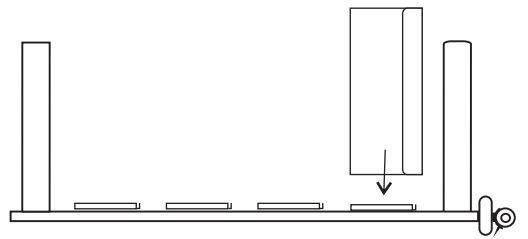
3



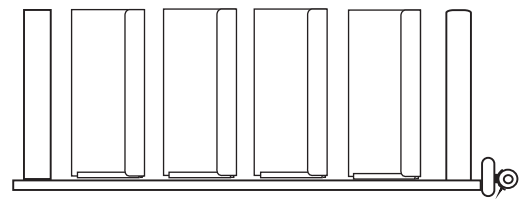
1



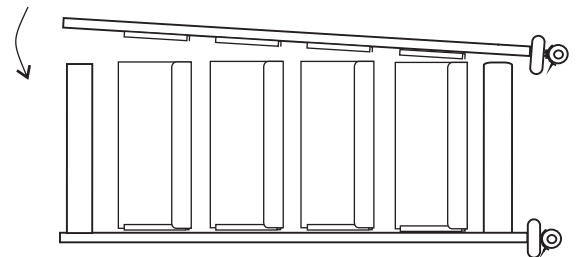
4



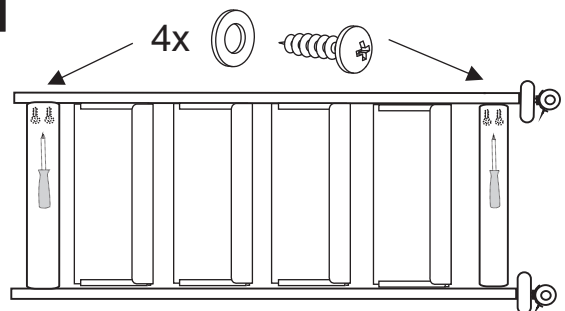
5



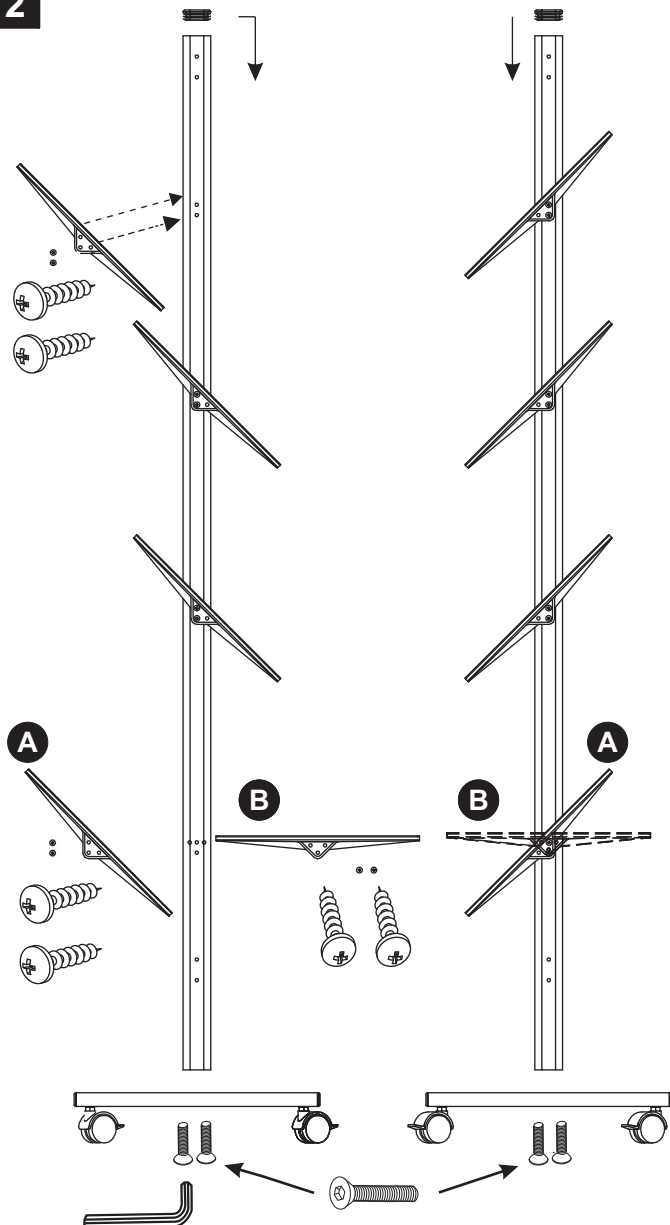
6



7



2



1589\_dr